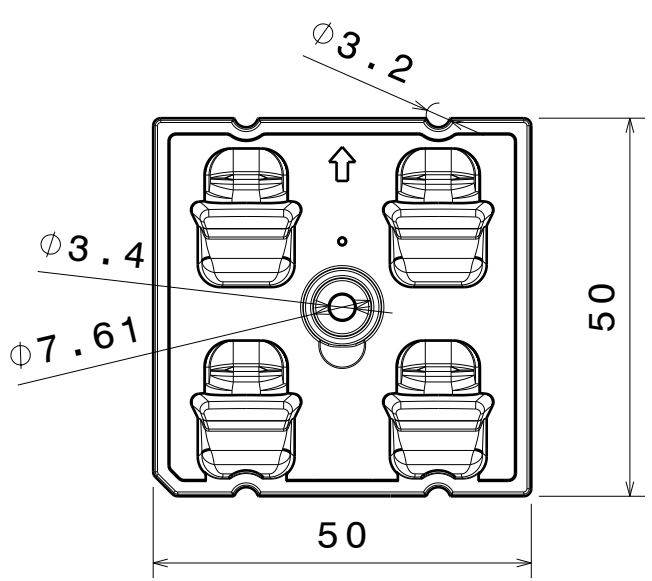


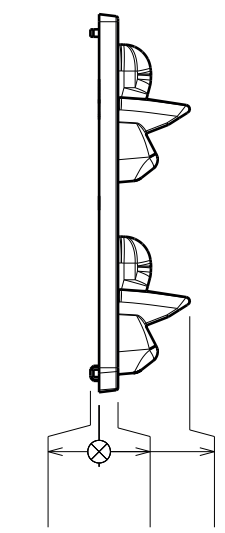
D C B A

4  
3  
2  
1

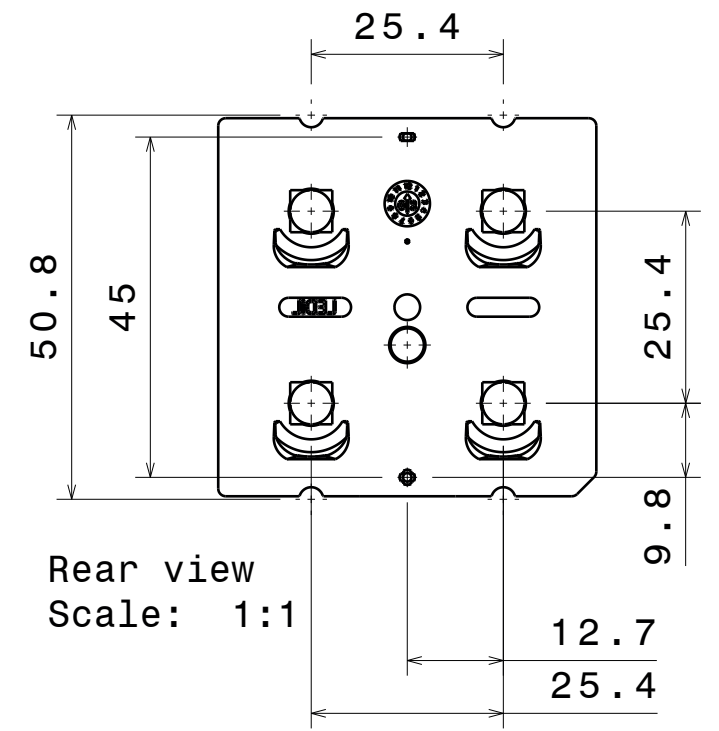
4  
3  
2  
1



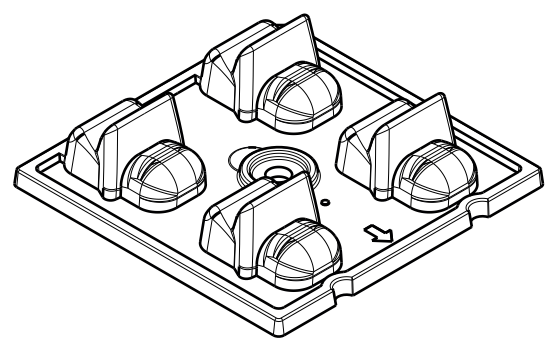
Front view  
Scale: 1:1



Left view  
Scale: 1:1



Rear view  
Scale: 1:1



Isometric view  
Scale: 1:1

INDEX	PART NO	DESCRIPTION	MATERIAL	COLOUR
1	C15962	STRADA-2X2-FS3_MECHMODEL	PMMA 8N	clear

Plastic moulding general tolerances according to DIN 16901-130 and applies if not otherwise shown in the drawing. Silicone moulding general tolerances according to ISO 3302-1 Class M3 and applies if not otherwise shown in the drawing.

**LEDiL** Ledil Oy  
 Salorankatu 10  
 FIN 24240 SALO  
 Finland

THIRD ANGLE PROJECTION:

DRAWING TITLE  
**C15962\_STRADA-2X2-FS3\_MECHMODEL**

This drawing is the property of LEDiL Oy. It may not be reproduced, copied or communicated without a written agreement with LEDiL Oy.

SIZE: **A4** PART NUMBER: **C15962**

SCALE: 1:1 WEIGHT: 7,98 g SHEET: 1/1

D A